

Option

P.877

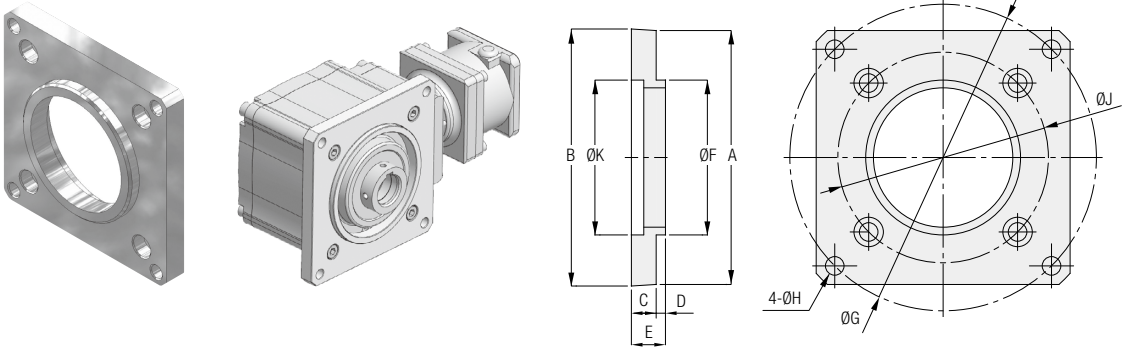
ACCURATE REDUCER

Output Shaft

Option

Compact Flange

A compact flange is a flange mount fixture exclusively for right angle hollow bore (AFC). A compact flange is supplied with bolts for mounting it.

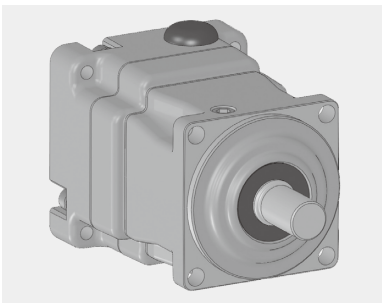


Part No.	Applicable Frame Size	A	B	C	D	E	F	G	H	J	K	Mounting Bolt (4 Pieces, Accessory)	Approx. Weight (g)	Material	Surface Treatment
CF-12	12	□82	(□83)	8	3	11	50h7	99	6	76	50H7	Hex Head Cap Screw M5 × 12	105	Aluminum Casting	No
CF-15	15	□90	(□91)	10	5	15	60h7	111	6	88	60H7	Hex Head Cap Screw M5 × 12	155		
CF-18	18	□108	(□109)	10.5	5	15.5	70h7	130	7	98	70H7	Hex Head Cap Screw M6 × 15	235		
CF-22	22	□134	(□135)	12.5	5	17.5	90h7	161	9	120	90H7	Hex Head Cap Screw M8 × 20	415		
CF-28	28	□152	(□153)	12.5	5	17.5	110h7	185	9	140	110H7	Hex Head Cap Screw M8 × 20	495		
CF-32	32	□172	(□173)	15	5	20	120h7	209	11	160	120H7	Hex Head Cap Screw M10 × 25	780		

Note 1: The mounting bolts are not provided with a spring washer, and if they become loose, use a screw locking adhesive etc. to keep them securely tightened.

Output Shaft without a Key Groove (APG)

We can manufacture output shafts without a key groove as custom specifications.
For lead time, prices, and other details, please contact your nearest Sales Office or the CS Center.



Motor Matching /
Motor Power Design List

APG/AG3 Type
Parallel Shaft

AH2 Type
Right Angle Shaft

AFC Type
Right Angle Hollow Bore/
Right Angle Shaft

AF3 Type
Concentric Right Angle Hollow Bore/
Concentric Right Angle Shaft

Technical Documentation

Option

Output Shaft Tapping (Threading)

If you desire output shaft tapping, we will prepare an output shaft manufactured to the dimensions shown in the table below. Designate these dimensions wherever possible at the time of design. To order tapping, enter "X40" at the end of the model name.

Note 1: Water-resistant specification stainless steel output shafts are not tapped.



Model example: Standard specification AH2LZ22L-5L200F1 ⇒ Output shaft with standard AH2LZ22L-5L200F1X40

Note 2: The mark "▲" in the table indicates that a lead time of about full 10 days is required.

Note 3: Water-resistant specification stainless steel output shafts and dimensions other than those shown in the table below are custom specifications.

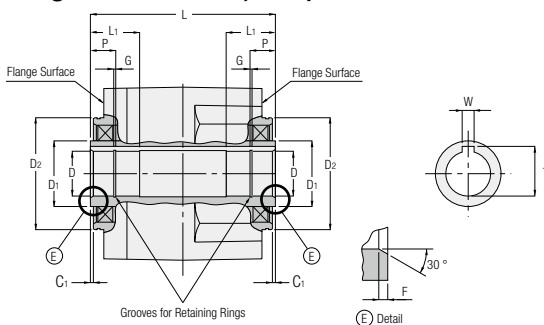
Note 4: For lead time, prices, and other details, please contact your nearest Sales Office.

Note 5: The AH2 and AF3F Types are available only with low backlash specifications and require a delivery period of about full 10 days.

For precision 1 arc min and 3 arc min specifications, please contact your nearest Sales Office or the CS Center

Shaft Diameter (Frame Size)	Size × Pitch × Depth	AH2 Type (Right Angle Shaft)			AF3F Type (Concentric Right Angle Shaft)		
		L Shaft	R Shaft	T Shaft	L Shaft	R Shaft	T Shaft
18	M6 × 1.0 × 15 ℓ	Not Available	Not Available	Not Available	▲	▲	▲
22/28	M8 × 1.25 × 20 ℓ	▲	▲	▲	▲	▲	▲
32/40	M10 × 1.5 × 25 ℓ	▲	▲	▲	▲	▲	▲
50	M12 × 1.75 × 30 ℓ	▲	▲	▲	Not Available	Not Available	Not Available

■ AF3S Types (Right Angle Hollow Bore)/Output Shaft Hole Diameter Custom Specifications



● Right Angle Hollow Bore Detailed Dimensions

Frame Size	Internal Diameter of Right Angle Hollow Bore	D (H8)	D ₁	D ₂ (h7)	W	T	L	L ₁	P	C ₁	F	G	Option Code
25	∅20	∅20	∅39	∅66	6	22.8	118	27	14	2	2	1.15	F2
30	∅25	∅25	∅44	∅75	8	28.3	124	33	17	2	2	1.35	F3
35	∅30	∅30	∅49	∅85	8	33.3	142	38	20	2	2	1.35	F4
45	∅35	∅35	∅64	∅100	10	38.3	168	50	26	2	2	1.75	F5
	∅40	∅40	∅64	∅100	12	43.3	168	50	26	2	2	1.95	F6

Note 4: The AF3S Type is available only with low backlash specifications.

For precision 1 arc min and 3 arc min specification products, please contact your nearest Sales Office or the CS Center.

Motor Matching /
Motor Power Design List

AF3/AG3 Type
Parallel Shaft

AH2 Type
Right Angle Shaft

AF3 Type
Right Angle Hollow Bore/
Right Angle Shaft

AF3 Type
Concentric Right Angle Hollow Bore/
Concentric Right Angle Shaft

Technical Documentation

Option