

Dear valued customer



Product change notification

We appreciate your continued support for our business.

We hereby would like to inform you about following specification change of our product.

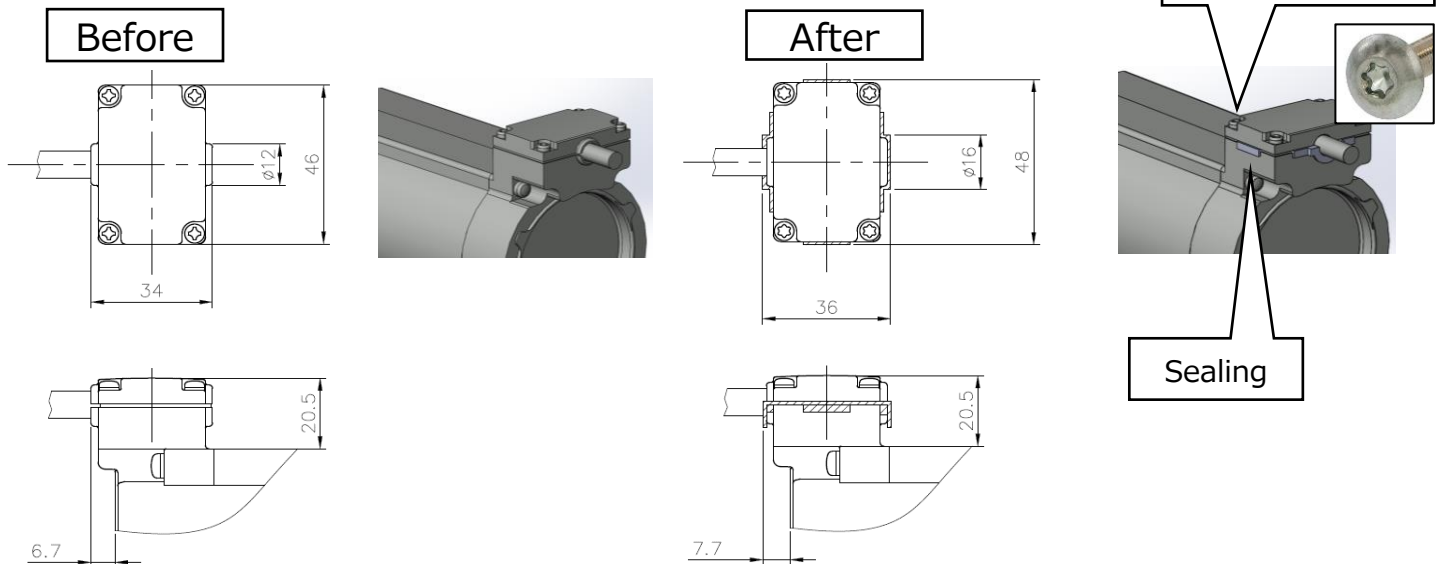
Sincerely

■ Target product

Product category	Capacity	Gear box	Mount	Motor category
Induction motor	15W-90W	G type;Parallel shaft H type;Right angle shaft F2 type;Hollow bore shaft	Leg Flounge	Water proof

■ Details of the change

- Part of sealing inside terminal box is exposed to front-back and lateral direction by 1 mm each.
- Box tightening screw change; Cross head pan screws to TORX screws



■ When transition starts

Gradually from order received around May 2024